

# KL 1600 LED

A benchmark in the field of LED light sources



The KL 1600 LED is a fiberoptical light source with a multiple LED light engine, designed for industrial and life science applications in stereo microscopy and macroscopy as well as for all applications that require a flexible output of light.

The KL 1600 LED plays with the broad range of SCHOTT fiber optic light guides and accessories of the KL 1500 series.

The brightness of 680 lm at the end of a flexible 9 mm Ø light guide is equivalent to a 150 W halogen cold light source while the electrical power consumption is less than 40 W.

General data		
Part-No.		150 600
Dimensions (W x D x H)	(mm) / (inch)	114 x 231 x 4.5" x 137/9.1" x 5.4"
Weight	(kg)	Approx. 2.45
Cooling		Ultra low noise fan
Electrical data		
Operating voltage, frequency		90 – 264 V ~, 47 – 63 Hz
Input voltage	(V)	24 V
Power consumption	(VA)	max. 37
Protection class		II
Overvoltage category		II
LEDs		9 High-Power-LED white
Average LED life time	(h)	50,000 <sup>1</sup>
Illumination data		
Luminous flux	(lm)	680 <sup>2</sup>
Color temperature	(K)	Approx. 5,600
Light control		Electrical
Active light guide diameter	(mm) / (inch)	Max. 9 / max. 0.35"
Certification marks		
Marking / Approval	<b>CE</b>	(power supply: CE, UL, PSE)
EMC-class	B	

Note: country specific power cord must be ordered separately!

## Features:

- Multiple-chip white LED light engine
- Continuous dimming from 0 to 100%
- Compact high quality housing with integrated handle
- Small footprint and additional iron ballast for stability when use with goosenecks
- Filter slider with two positions (filter can remain in the light source even if it is not used)
- Easy to use fixture mechanism with clamping screw
- Comprehensive range of light guides and accessories available (KL 1500 series)
- Ultra low noise fan for ergonomic use in the laboratory
- Ripple free DC illumination

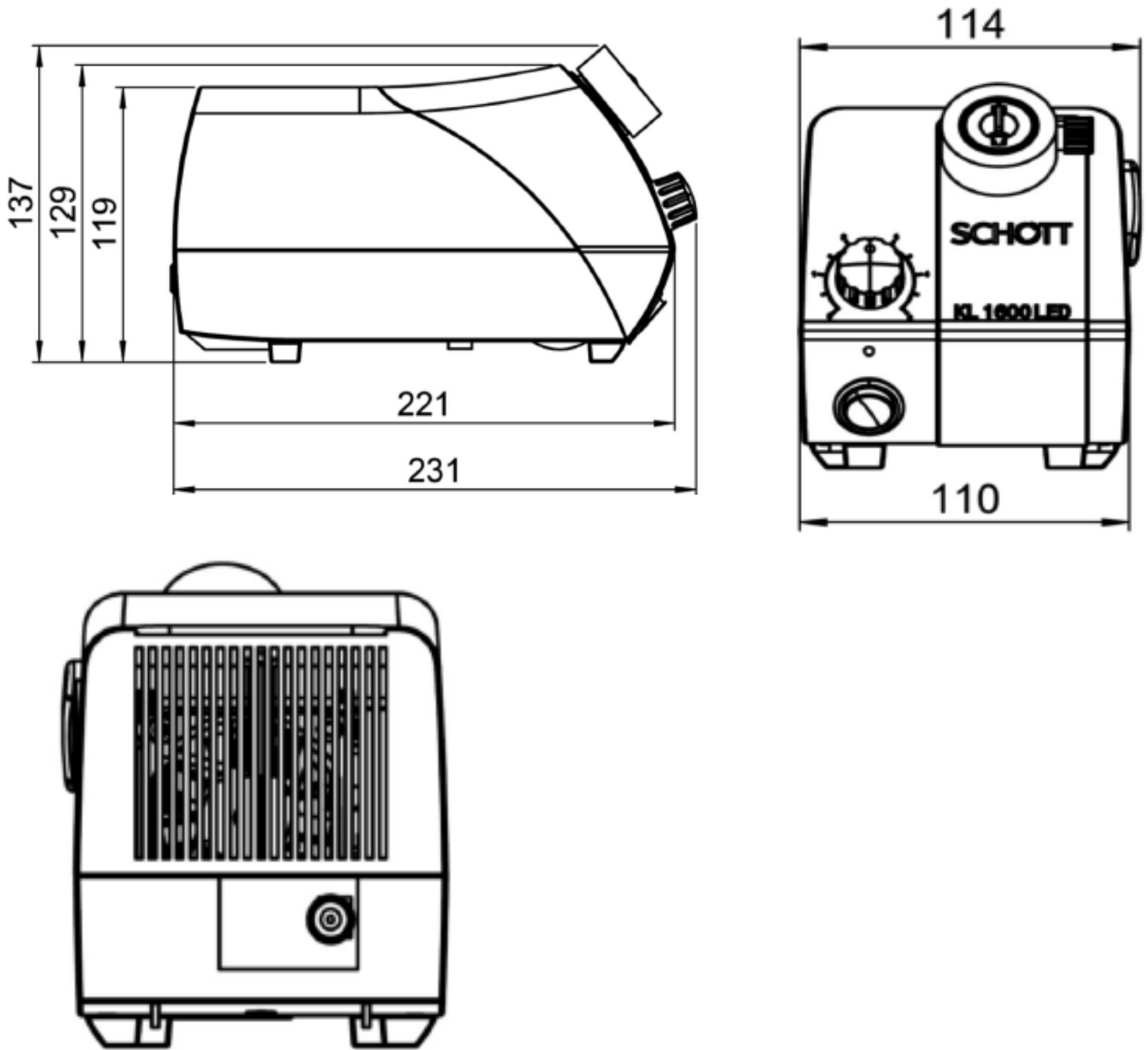
Power cords	Part-No.
IEC cord with European plug	400 051
IEC cord with US plug	400 052
IEC cord with UK plug	400 053
IEC cord with Swiss plug	400 054

<sup>1</sup> max. decline of light output to 70% of origin level

<sup>2</sup> at the output of SCHOTT fiber optic light guide, 1-arm, flexible, Ø 9 mm active, length 1000 mm



KL 1600 LED



All specifications are subject to change without prior notice. This datasheet or any extracts thereof may only be used in other publications with express permission of SCHOTT. © SCHOTT AG

Lighting and Imaging  
**SCHOTT AG**  
Hattenbergstrasse 10  
55122 Mainz  
Germany  
Phone: +49 (0) 6131/66-7796  
Fax: +49 (0) 6131/66-7850  
lightingimaging@schott.com  
www.schott.com/lightingimaging

