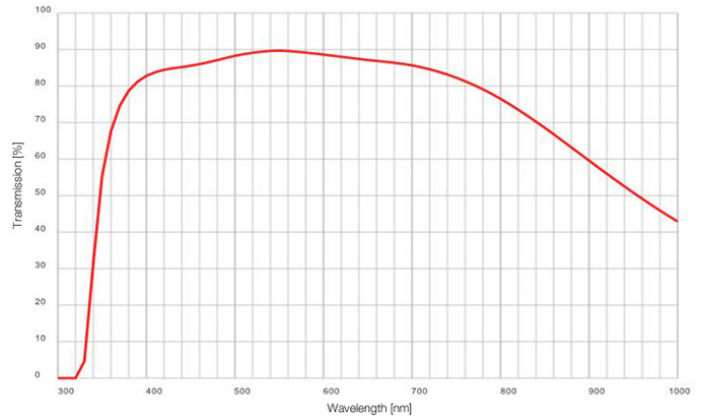


# UPLSAPO 40X2

## UPLSAPO Series

Thanks to the application of Olympus' original UW multicoating, these Super Apochromat objectives fully compensate for both spherical and chromatic aberrations from the UV to the near infrared region. Their sensitivity to fluorescence emissions ensures the acquisition of sharp, clear images, without color shift, even in brightfield and Nomarski DIC observations.



W.D.	MAG	F.N.	NA	IM
0.18	40x	26.5	0.95	-

<b>BF</b>	DF	<b>FL</b>	<b>DIC</b>	IR	TIRF
MPE	PH	<b>PO</b>	RC	<b>UV</b>	CY

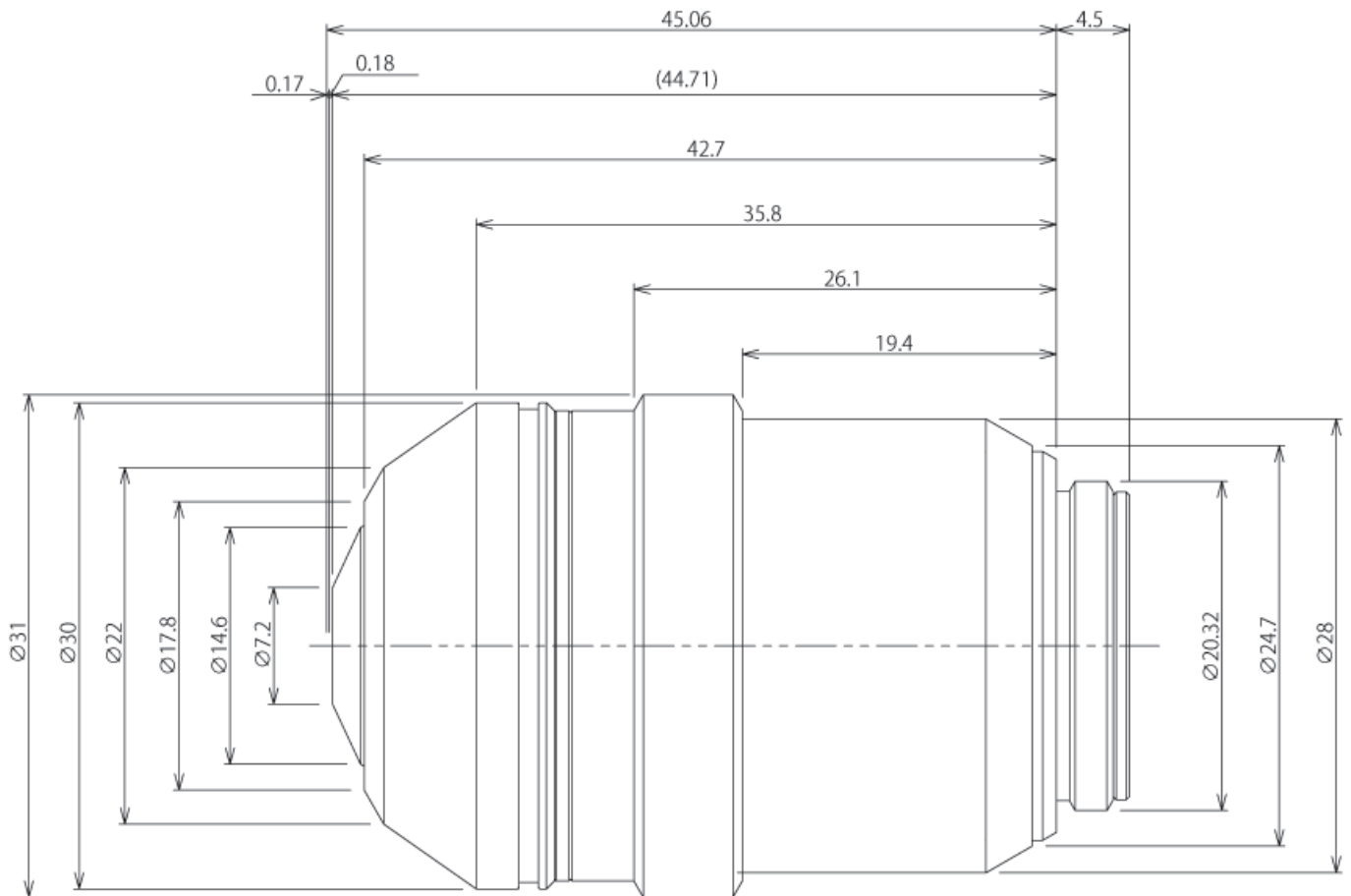
Numerical Aperture (NA)	0.95
Working distance (W.D.) (mm)	0.18
Field Number (F.N.)	26.5
Cover Glass Thickness (mm)	0.11 - 0.23
Immersion	-
Spring	Yes
Correction Collar	Yes
Iris Diaphragm	-
Waterproof & Oil proof function	-
Ultra Wide anti-reflection coating	Yes
Super apochromatic	Yes
Brightfield	Excellent
Darkfield	N/A
DIC	Excellent
Phase Contrast	N/A
Relief Contrast	N/A
Polarized Light	Good
Fluorescence (B, G Excitation)	Excellent
UV Fluorescence (at 365nm)	Excellent
IR DIC	Good
Multi photon excitation	Limitation

Specifications, design and accessories are subject to change without any notice or obligation on the part of the manufacturer.

Data Sheet

# UPLSAPO 40X2

## UPLSAPO Series



Specifications, design and accessories are subject to change without any notice or obligation on the part of the manufacturer.