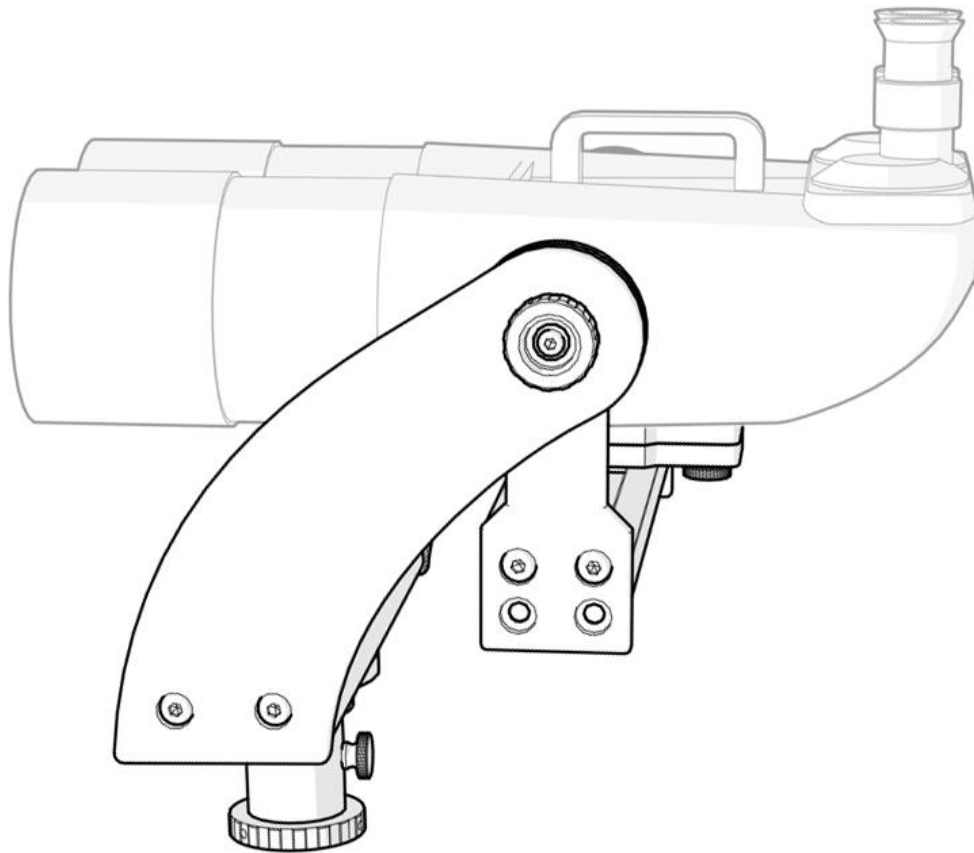


# Instruction manual

**omegon***pro*



## ***Omegon Pro® Neptune Fork Mount for big binoculars***

English Version 10.2020 Rev. A, Art.-Nr. 61983

## The Omegon Pro® Neptune Fork Mount for big binoculars

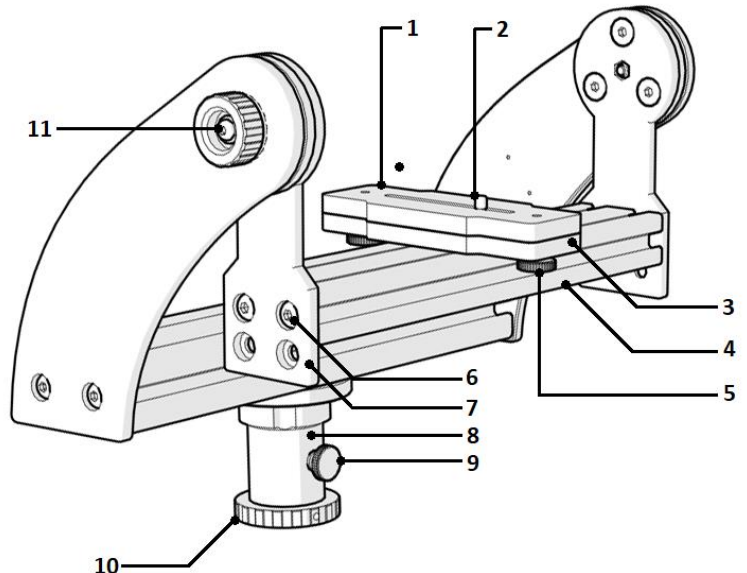
Congratulations on the purchase of the Omegon Pro® Neptune Fork Mount for big binoculars. If you own a pair of big binoculars of aperture bigger than 80mm then this is the ideal companion for binocular astronomy or for terrestrial observing. It provides a smooth rotation on both axes and allows you to point from  $-30^\circ$  (below horizon) to  $>90^\circ$  (zenith).

### 1. What is included?

Hex key 4mm;  
Hex key 5mm;  
Neptune mount.

### 2. Main parts

1. Platform;
2.  $\frac{1}{4}$ "-20 D-type camera screw;
3. Sub-platform;
4. 30x60 aluminium profile;
5. Platform thumbscrew (2 pieces);
6. Hex bolt (4 pieces);
7. Side arm;
8. Azimuth axis;
9. Friction thumbscrew;
10. Base to tripod;
11. Altitude axis (2 pcs).

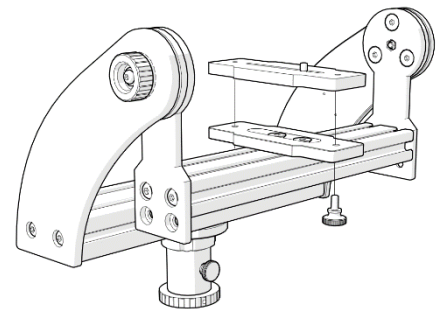


### 3. Understanding how the product works.

Fork mounts are great for short focal length telescopes and big binoculars, allowing them to point from the zenith ( $>90^\circ$  up) to below the horizon (terrestrial view) on a solid platform. An important feature to these kind of platforms is to provide smooth movement on both axes. This smoothness is important because no slow motion controls are available. With this kind of mount, even at low magnification, it is necessary to do small pointing corrections. For these to be effective, the binoculars or telescope should be well-balanced, their centre of mass should coincide with the main horizontal axis of the mount. The binoculars should be adjusted *up-down* and *front-to-back*.

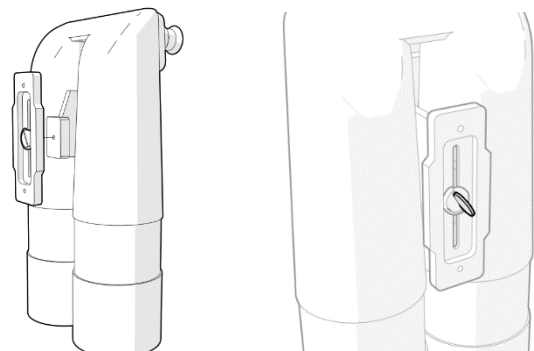
Here are some tips to do this correctly:

**Step 1. Removing the platform.** Start by releasing the two platform thumbscrews #5 so that the platform #1 can be removed.

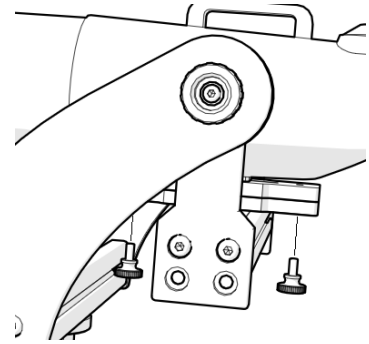


**Step 2. Fixing the platform to the binoculars.** Locate the  $\frac{1}{4}$ " D type screw #2 on Platform #1 and slide it to the centre. Fix the  $\frac{1}{4}$ " D type screw to the binocular's foot/base, as shown. Use a suitable coin for a tight fix. Make sure that Platform #1 does not move or slide. Retighten if necessary.

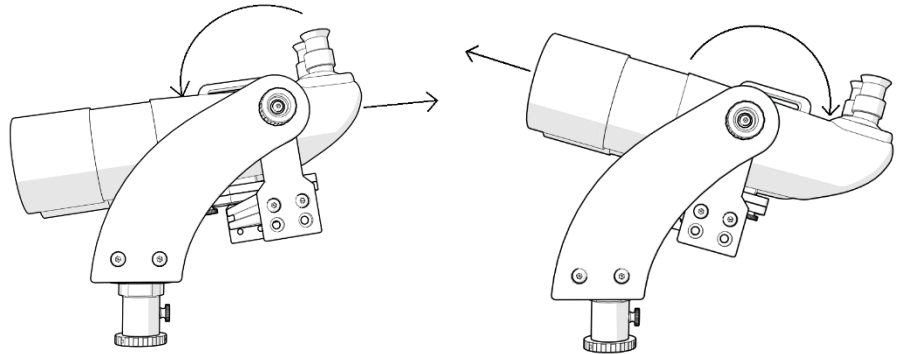
**Hint:** A 5 or a 20 euro-cent coin is a very helpful tool to securely fix the binoculars!



**Step 3. Installing the setup from Step 2 to the mount.** Place the assembled setup from the previous step to the sub-platform #3 and tighten back the two platform thumbscrews #5.



**Step 4. Checking front-back balance.** Place the binoculars horizontal. If the binoculars tilt to the front, they need to be adjusted to the back. If, on the other hand, the binoculars tilt to the back, they need to slide to the front.

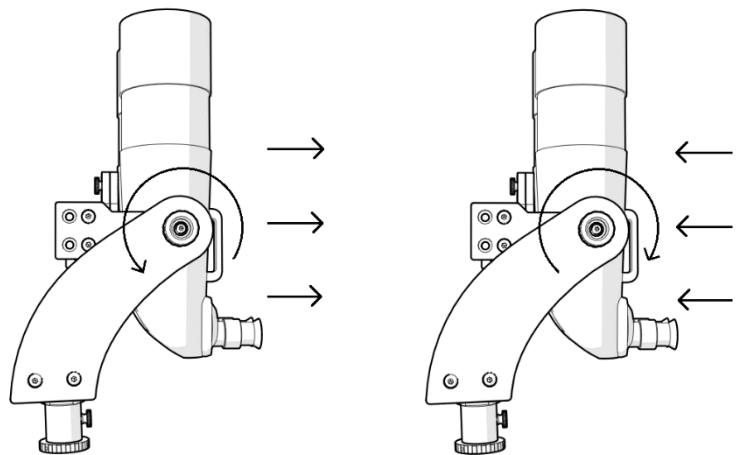


Repeat Steps 1 to 3 if necessary.

**Step 5. Checking up-down balance.** Before proceeding make sure Step 4 has been successfully completed. At this point it is imperative to have the binoculars front-back balanced.

Start by pointing the binoculars to the zenith (90° up) as shown. If the binoculars **tilt to the front**, they need to be moved further up (arrows pointing to the right), this usually means **adding a raising block** (please check in the final section, for recommended accessories).

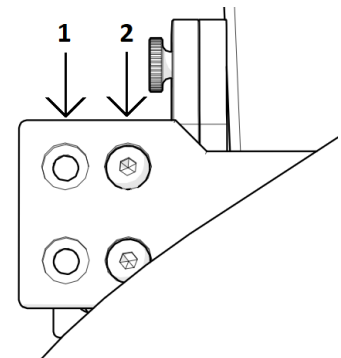
If, on the other hand, **they tilt to the back**, they need to be moved further down (arrows pointing to the left) this usually means **switching between position 2 to 1** (see below).



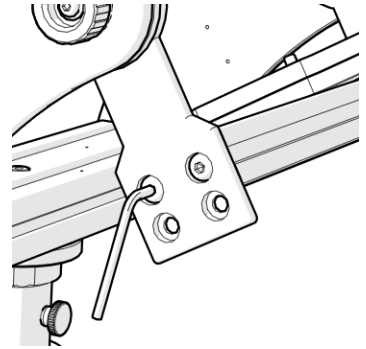
How to adjust the binoculars' up-down position?

There are two up-down positions to choose from: 1 and 2. Usually position 2 is used for smaller binoculars, up to 100mm in aperture. This is the most common position but your fork mount may have been delivered in the position 1. Please verify which position is required.

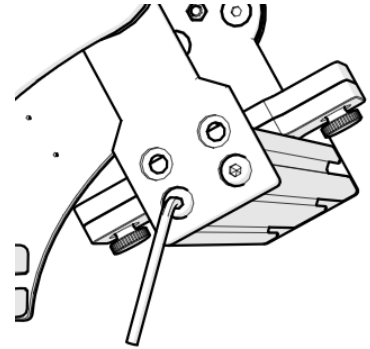
Position	Binoculars' aperture in mm
1	>110mm or heavier than usual
2	≤110mm



Use the supplied 5mm hex key to release the two hex bolts #6 on both sides (4 bolts in total) as shown. Release each bolt from each side first, then remove it.



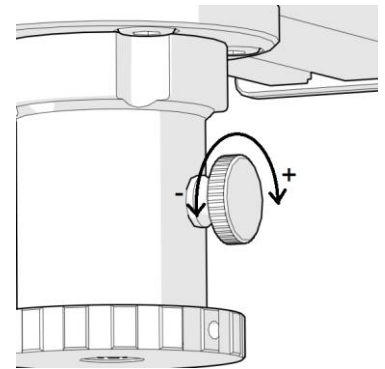
Change the 30x60 aluminium profile #4 to position 1 and lock it in place. Place the bolts to their position first and only then start re-tightening it.



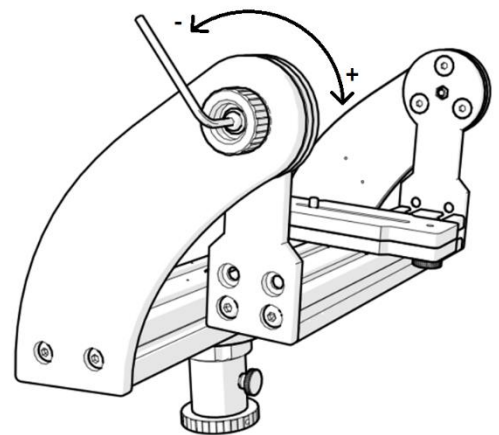
The fork mount, with the mounted binocular, should now rotate on both axes without any tilt.

**4. Friction adjustment.** Friction on both axes can be adjusted. Usually a smooth movement is desired. The smoother it is, the more sensitive the balance will be. We recommend using a friction level that allows both smooth movement and good balance.

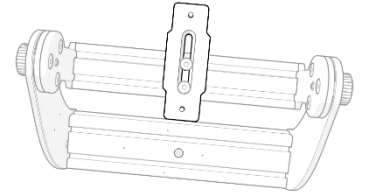
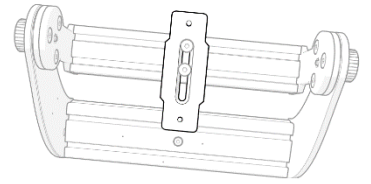
**4.1. Adjusting friction on the AZ axis.** Tighten (clockwise) or release the friction thumbscrew #9 and check how the friction changed. Please notice, it is not possible to lock the azimuth axis #8. Friction can be increased or decreased but the axis will never lock.



**4.2. Adjusting friction on the altitude axis.** Use the supplied 4mm hex key to release (slightly) the altitude axis #11. Make sure to do this on the left and right side. Verify if the friction is the same on both sides. Turning clockwise increases friction (+) while counter clockwise the friction is reduced. Try differently to get yourself familiarised with the required smoothness level and how it increases or decreases.

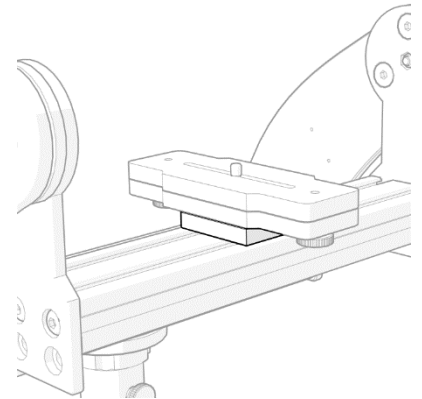


**5. Additional features: sliding the sub-platform.** The sub-platform #3 can add an additional degree of adjustment (from to back). It slides an additional 35mm to the front and back combined. This is especially important for telescopes or binoculars that have a centre of mass which is far away from its mechanical centre. Release the two screws, slide it to the required position and retighten, ensuring it is securely fixed.



## 6. Recommended accessories.

**6.1. Raising block.** Raising blocks are very rarely necessary. Only when the binocular's shape or weight is completely out of what we call the standard, will one need one of these blocks. They allow to further adjust the binocular up (using position 2 already). Check for existing raising blocks.



## 7. Specifications.

**Weight:** 4250g (9.4lb);

**Outside dimensions:** 205x371x310mm;

**Inside width (how big can the binocular be):** 290mm;

**Carrying Capacity:** 9kg (19.8lb);

**Altitude range:** -30° to >90°;

**Recommended Binocular size:** up to 110mm.