



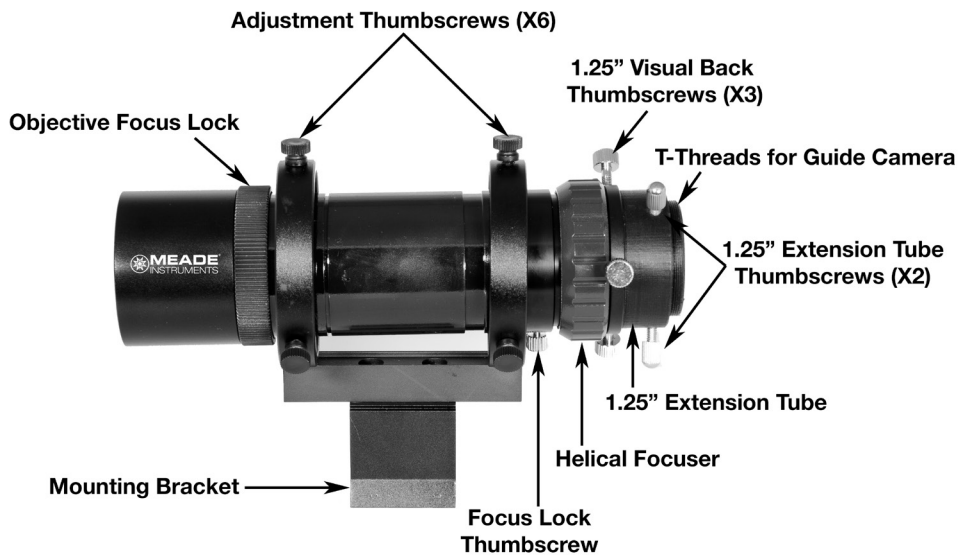
# Series 6000 50mm Guide Scope with Helical Focuser

## User's Manual

Product #608043



**WARNING!** Never point the guide scope at the Sun without a proper solar filter. Never look at or try to image the Sun with this Guide Scope unless it is properly filtered for safe viewing. Permanent damage to your eye and equipment will result. Block all non-filtered optical components such as viewfinders to prevent concentrated sunlight from passing through. Never allow unattended children to operate or be near a telescope during the day.



Congratulations on your purchase of the Meade Series 6000 50mm Guide Scope with Helical Focuser. This portable guide scope mounts to your telescope just as standard optical finder scope would. The 50mm Guide Scope can also be used as an excellent finder scope, since it will accept standard 1.25" eyepieces.

### Parts List

- 50mm Guide Scope Body
- Guide Scope Bracket (pre-installed)
- Finder Dovetail Base and Mounting Hardware
- Focus Extension Tube

### Installation

On ACF and Schmidt-Cassegrain telescopes, locate the two threaded holes on the back of the optical tube. Most ACFs and SCTs will have threaded holes positioned in the 10 o'clock and 2 o'clock position or both. For LX200-type telescopes, remove the existing finder dovetail base if necessary. If your telescope is equipped with two finder scope positions, you may choose to leave your finder scope installed, and add the 50mm Guide Scope for maximum versatility. Attach the included Finder Dovetail Base to your optical tube, then slide the Guide Scope Bracket into the Dovetail Base and secure it with the 2 thumbscrews.



## Attaching your Guide Camera

The 50mm Guide Scope can attach to your guide camera either by 1.25" slip fit connection or a T-thread connection. Cameras that only have a 1.25" nosepiece, or camera bodies that are 1.25" in diameter, can fit the 1.25" holder at the back of the helical focuser and are secured in place with the thumbscrews. The Meade LPI-G series cameras attaches this way.

Cameras with T-thread connections can thread directly to the back of the helical focuser. To attach by T-thread connection, remove the 1.25" nosepiece from the guide camera (if necessary), and thread the camera body to the back of the Helical Focuser on the 50mm Guide Scope.

Some camera configurations may have difficulty achieving focus when attached directly to the helical focuser. If this problem occurs, use the included extension tube between the focuser and camera to allow your camera to reach the focal plane.

1. Thread the 1.25" Extension Tube to the back of the helical focuser.
2. Insert the 1.25" nosepiece of your guide scope to the 1.25" opening on the Extension Tube and tighten the two thumbscrews, or, thread the T-threads on the guide camera (if equipped) to the T-threads on the back of the Extension Tube.

## Focusing

The Meade LPI-G and LPI-G Advanced cameras will reach focus when used with the 1.25" Extension Tube. Different guide cameras may require removing the extension tube to reach focus. Locate a bright star and center it using the Adjustment Thumbscrews. If necessary, you can use a standard 1.25" eyepiece to help locate a star before installing your guide camera. Rotate the Helical Focuser until the star comes into focus. It might require several turns of the helical focus knob the first time you reach focus. When focused, tighten the Focus Lock Thumbscrew.

Additional focus adjustment can be made by loosening the Objective Focus Lock, then rotating the objective lens assembly, however this is not necessary unless you need additional focus travel.

Specifications	
Objective	50mm Achromat Doublet, Fully Multi-Coated
Focal Length	162mm
Focal Ratio	f/3.2

### Meade Limited Warranty

Every Meade accessory is warranted by Meade Instruments Corp ("Meade") to be free of defects in materials and workmanship for a period of ONE YEAR from the date of original purchase in the U.S.A. Meade will repair or replace a product, or part thereof, found by Meade to be defective, provided the defective part is returned to Meade, freight-prepaid, with proof of purchase. This warranty applies to the original purchaser only and is non-transferable. Meade products purchased outside North America are not included in this warranty, but are covered under separate warranties issued by Meade international distributors. RGA Number Required: Prior to the return of any product or part, a Return Goods Authorization (RGA) number must be obtained from Meade by writing, or by calling (800) 626-3233. Each returned part or product must include a written statement detailing the nature of the claimed defect, as well as the owner's name, address, and phone number. This warranty is not valid in cases where the product has been abused or mishandled, where unauthorized repairs have been attempted or performed, or where depreciation of the product is due to normal wear-and-tear. Meade specifically disclaims special, indirect, or consequential damages or lost profit which may result from a breach of this warranty. Any implied warranties which cannot be disclaimed are hereby limited to a term of one year from the date of original retail purchase. This warranty gives you specific rights. You may have other rights which vary from state to state. Meade reserves the right to change product specifications or to discontinue products without notice. This warranty supersedes all previous Meade product warranties.

**Meade Instruments Corp.**  
**27 Hubble**  
**Irvine, CA 92618**  
**800-626-3233 ■ www.meade.com**

2019723 REV 0