



## **ZEISS V8 riflescopes**



[www.zeiss.com/hunting/v8](http://www.zeiss.com/hunting/v8)

Seeing beyond



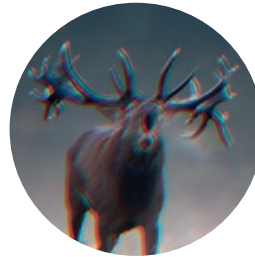
# OUTSTANDING OPTICS FOR THE HIGHEST DEMANDS.

## ZEISS V8

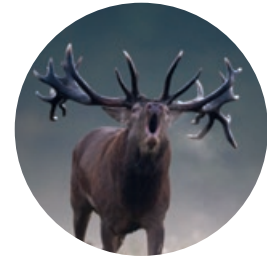
The new generation of ZEISS V8 riflescopes helps hunters enjoy more successful moments on the hunt than any other riflescope from ZEISS thanks to the combination of sophisticated features and how they interact with each other perfectly. A riflescope has never been this flexible and versatile.

Outstanding optical quality, an extra-large eye box for fast target acquisition, and the ultrafine illuminated dot make them unsurpassed companions in any hunting situation. BDC Advanced LongRange rounds out the list of ZEISS V8 riflescopes' numerous features, achieving the longest possible shooting distances thanks to its wide adjustment range. This is how ZEISS V8 riflescopes always guarantee absolute precision and perfection – quality made in Germany for maximum hunting success.

### Fluoride Glass & UFL Concept



Without FL glass



With FL glass

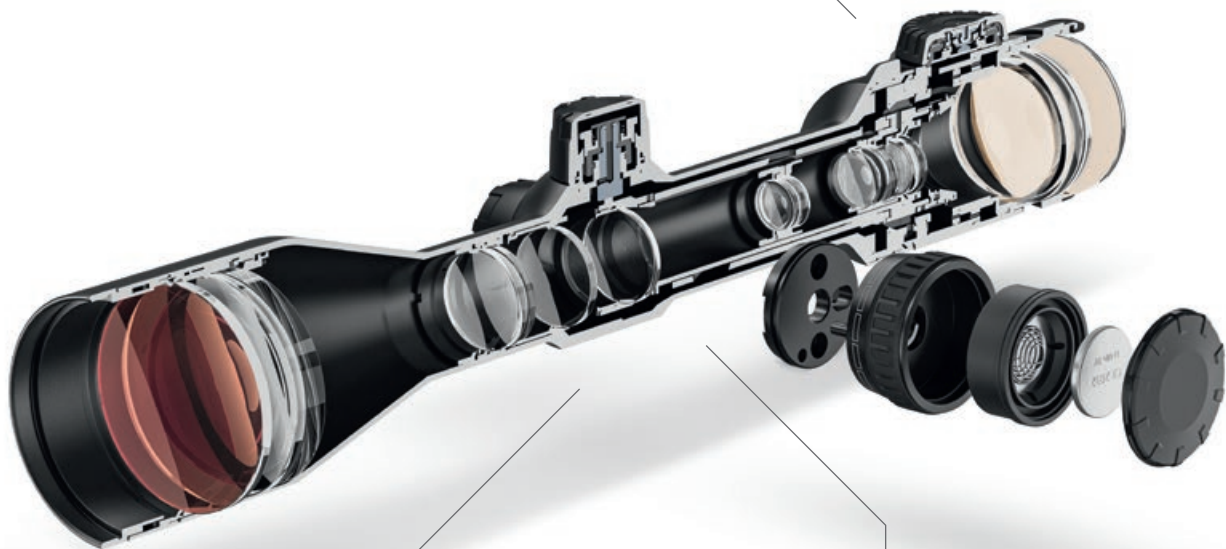
SCHOTT fluoride glass **FL** delivers a bright view and optimum target resolutions. The UFL Concept **UFL** combines multiple SCHOTT fluoride lenses into a system that delivers extremely natural color rendering and vivid details.

## Rapid target acquisition

An extra-large eye box helps hunters quickly and easily acquire targets, resulting in higher success rates in dynamic hunting situations.

## Innovative technologies

Ergonomically designed multi-function button to control the illuminated dot combined with intelligent motion sensor technology to automatically activate the dot when the weapon is brought to bear.



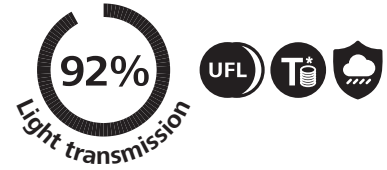
## Maximum performance meets elegant design

The center tube diameter of 30 or 34 mm offers a compact and mechanically sturdy design solution and more flexibility in reticle selection.

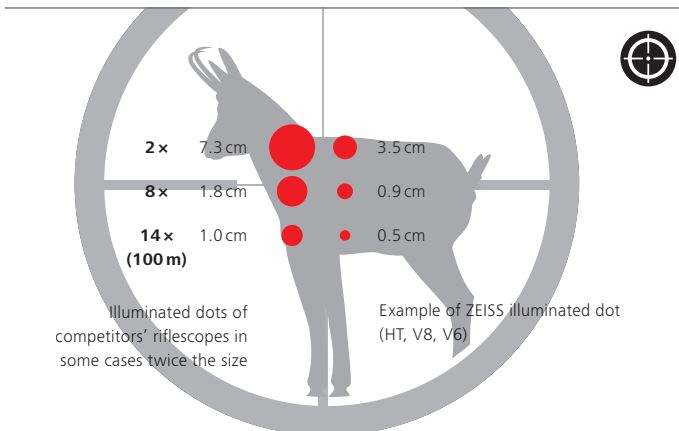
## Unmatched long-range shooting performance

With an adjustment range of up to 140 cm and a click value of 1 cm/100 m per click, the BDC-Advanced LongRange (BDC-ALR) bullet drop compensation allows hunters to make corrections for precise targeting at long ranges.

# THE MOST VERSATILE RIFLESCOPE. ZEISS V8.



Now with a  
**30 mm  
tube!**



## Perfect sight on target.

- Outstanding optical quality.
- Maximum field of view and extra-large eye box for rapid target acquisition.
- Ultrafine illuminated dot – easy and precise to operate.
- For shots at the maximum distance thanks to BDC-LongRange and BDC-Advanced LongRange.
- Stable and shot-proof – ideally suited for use with clip-on attachments.



**ZEISS V8 1.1 – 8×24**

The V8 1.1–8×24 gives the shooter more room to position their eye and makes target acquisition much faster – a decisive advantage on driven hunts.



**ZEISS V8 1.8 – 14×50**

Thanks to its large field of view of 23 meters at 100 meters at the lowest magnification, its outstanding optical quality with relaxed viewing capabilities, and its low weight, the V8 1.8–14×50 is the perfect choice for any hunting situation.



**ZEISS V8 2.8 – 20×56**

The 20× magnification and optional bullet drop compensation make the V8 2.8–20×56 excellent for long-range shooting.



**ZEISS V8 4.8 – 35×60**

With 35× magnification combined with optional bullet drop compensation, the V8 4.8–35×60 represents the ultimate in long-range shooting performance.



**OPTICAL EXPERTISE**

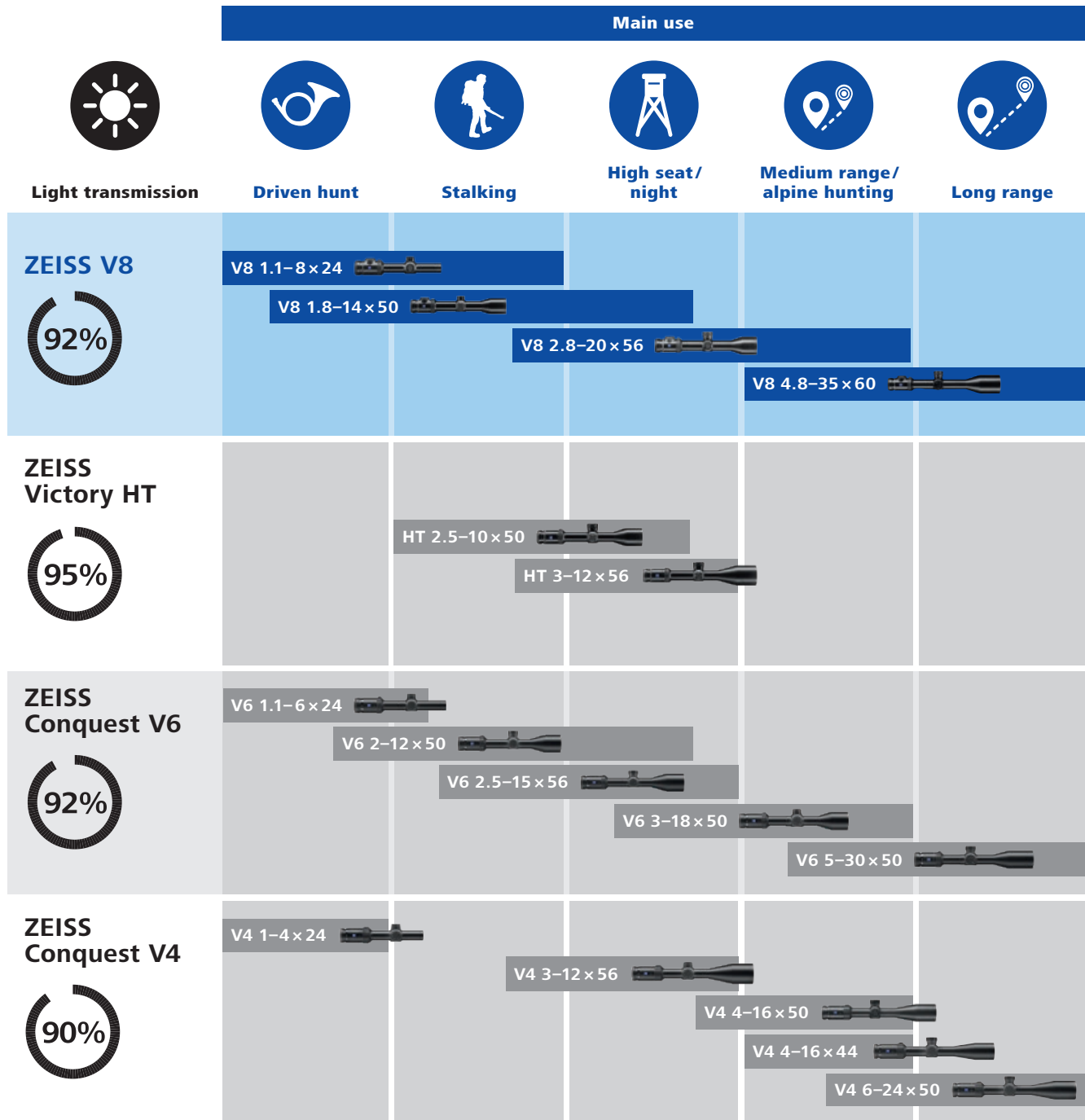
**Comfortable viewing**

The eye box is the area where the hunter completely sees the entire image. In ZEISS riflescopes, it is particularly comfortable due to its size. This provides the hunter more room to position their eye and makes target acquisition much faster – a decisive advantage on driven hunts.



Viewing ZEISS riflescope

# COMPARISON OF ZEISS V8 MODELS.



**FL Fluoride Glass**  
Fluoride glass and SCHOTT glass delivers a bright view and optimum target resolutions.

**UFL UFL Concept**  
System comprising multiple fluoride lenses from SCHOTT for true natural color rendition and extremely vivid details.

**T\* T\***  
Multicoating for sharp, high-contrast images.

**LotuTec®**  
For fast and easy lens cleaning.

# TECHNICAL SPECIFICATIONS.

ZEISS V8 riflescopes		V8			
Model		1.1–8×24	1.8–14×50	2.8–20×56	4.8–35×60
Magnification		1.1×–8×	1.8×–13.5×	2.8×–20×	4.8×–35×
Effective lens diameter		10.6–24 mm	18.6–50 mm	27.5–56 mm	48.1–60 mm
Exit pupil diameter		9.9–3.1 mm	10.3–3.7 mm	9.9–2.8 mm	9.9–1.7 mm
Twilight factor		3.4–13.9	5.1–26	7.9–33	13.6–45.8
Field of view (100 m)		39.6–5.4 m	23–3.1 m	15.5–2.1 m	8.6–1.2 m
Objective viewing angle		22.2°–3°	13.1°–1.8°	8.8°–1.2°	4.9°–0.7°
Diopter adjustment range		-3.5/+2 D			
Eye relief		92 mm			
Parallax setting		100 m	50 m–∞		
Vertical adjustment range at 100 m		500 cm	310 cm	210 cm	140 cm
Windage adjustment range at 100 m		320 cm	200 cm	135 cm	85 cm
Adjustment per click at 100 m		1 cm			
Centre tube diameter		30 mm			34 mm
Eyepiece tube diameter		46 mm			
Lens tube diameter		30 mm	56 mm	62 mm	67 mm
Coating		LotuTec®			
Nitrogen-filled		Yes			
Watertightness		400 mbar			
Operating temperature		-25 °C / +50 °C			
Length		283 mm	343 mm	350 mm	399 mm
Selectable illuminated reticle		54, 60	54, 60	43, 60	43, 60
Weight with illuminated reticle	without inner rail	550 g	720 g	795 g	995 g
	with inner rail	590 g	750 g	830 g	1,015 g
Order no. (XXXXXX-XXXX-XXX)	without inner rail	52 21 01-	52 21 11-	52 21 31-	52 21 41-
	with inner rail	52 21 00-	52 21 10-	52 21 30	52 21 40-
Available illuminated reticle (XXXXXX-XXXX-XXX)	43	–	–	-9943-	-9943-
	54	-9954-	-9954-	–	–
	60	-9960-	-9960-	-9960-	-9960-
Bullet drop compensator (XXXXXX-XXXX-XXX)	without BDC	-000	-000	-000	–
	BDC (elevation)	–	-040	-040	-040
	BDC (elevation and windage)	–	-050	-050	-050
Available BDC		–	BDC-LR	BDC-LR	BDC-ALR

Example of a complete order number for ZEISS V8 1.8–14×50 with inner rail, reticle 60 and BDC-LR (elevation): 522110-9960-040  
 Subject to changes in design and scope of delivery as a result of ongoing technical development.

An overview of all available reticles can be found on our website  
[www.zeiss.com/hunting/reticles](http://www.zeiss.com/hunting/reticles)

Become a part of the **ZEISS Hunting community**.

Follow us on the web:



facebook.com/ZEISSHunting



zeiss.com/hunting/blog



youtube.com/user/zeissportsoptics



ZEISShunting\_EU

### Customer Care

Carl Zeiss Sports Optics GmbH – Customer Care  
Gloelstr. 3 – 5, 35576 Wetzlar, Germany  
Phone +49-800-934-7733 | Fax +49-644-148-369  
consumerproducts@zeiss.com

### Carl Zeiss AG

Consumer Products Business Group  
Carl-Zeiss-Straße 22  
73447 Oberkochen  
Germany

[www.zeiss.com/hunting](http://www.zeiss.com/hunting)

