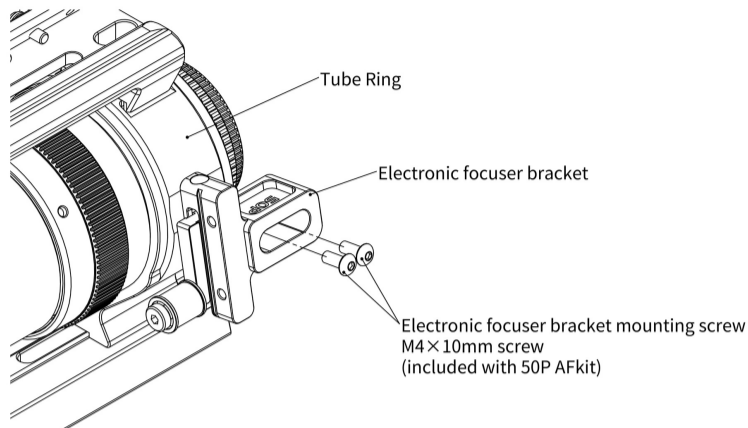
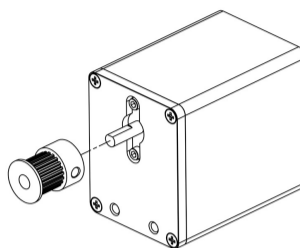


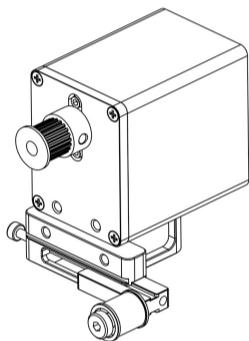
① Use a 3mm Allen wrench to remove the finder base mounting screws and detach the finder base.



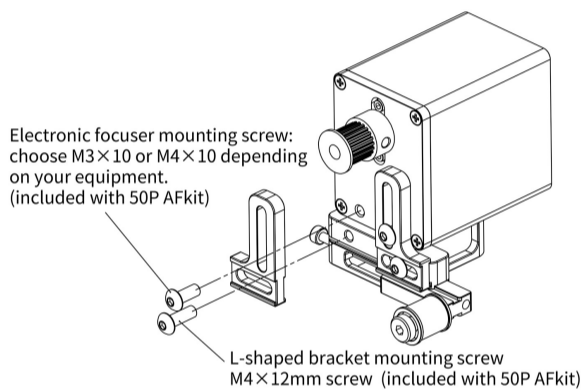
② Use M4×10 screws to secure the EAF bracket onto the tube ring.



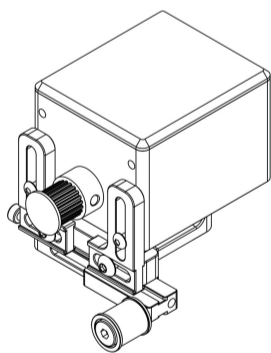
③ Attach the synchronous pulley to the electronic focuser and lock it tightly.



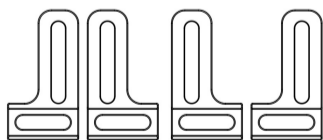
④ Place the electronic focuser on the base as shown in the picture.



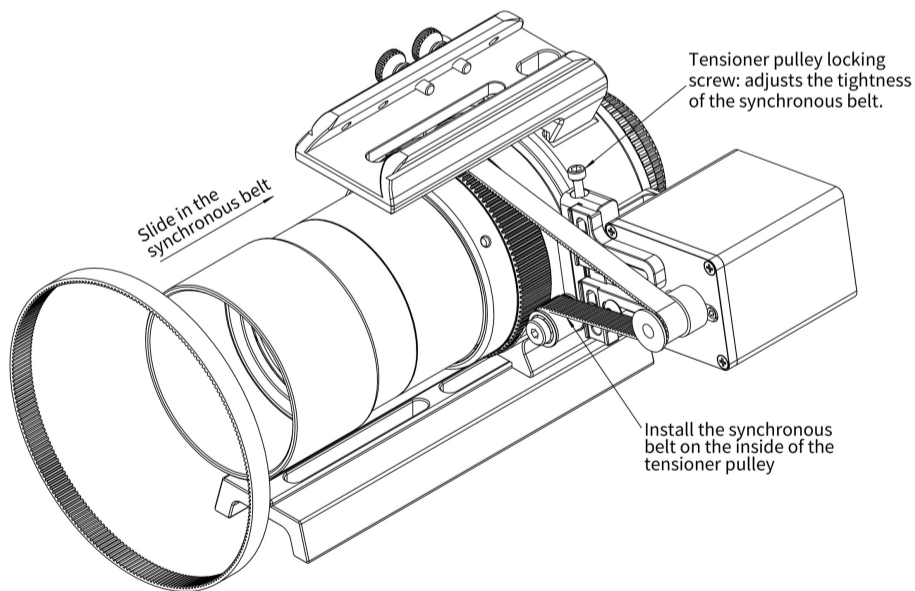
⑤ Lock the electronic focuser fixing screws and the L-shaped hollow plate fixing screws, respectively (on the right side of the figure, after assembly).



⑥ By reversing the L-shaped hollow plates they can be adapted to electronic focuser accessories with larger hole spacing (as shown).



(The L-shaped adapter plate locks the electronic focuser and the electronic focuser bracket base with two pairs of screws. By changing the direction of the L-shaped adapter plate, it can be compatible with different screw hole spacing of different electronic focusers.)



⑦ Install the synchronous belt as shown

电动调焦型号 Electronic focuser model	同步带规格 Synchronous belt type	同步轮规格 Synchronous pulley type
iOptron iEAF	134MXL同步带(168齿), 宽度10mm 134MXLSynchronous belt(168 tooth), 10mm width	MXL型同步轮(20齿), 齿宽11mm, 内径5mm MXL synchronous pulley(20 teeth), 11mm width, Innerdiameter 5mm
ZWO EAF	134MXL同步带(168齿), 宽度10mm 134MXLSynchronous belt(168 tooth), 10mm width	MXL型同步轮(20齿), 齿宽11mm, 内径5mm MXL synchronous pulley(20 teeth), 11mm width, Innerdiameter 5mm
ZWO EAFN	134MXL同步带(168齿), 宽度10mm 134MXLSynchronous belt(168 tooth), 10mm width	MXL型同步轮(20齿), 齿宽11mm, 内径4mm MXL synchronous pulley(20 teeth), 11mm width, Innerdiameter 4mm
Astro Automatic Focuser	140MXL同步带(175齿), 宽度10mm 140MXLSynchronous belt(175 tooth), 10mm width	MXL型同步轮(20齿), 齿宽11mm, 内径5mm MXL synchronous pulley(20 teeth), 11mm width, Innerdiameter 5mm
QHYCCD Q-Focuser	130MXL同步带(162齿), 宽度10mm 130MXLSynchronous belt(162 tooth), 10mm width	MXL型同步轮(20齿), 齿宽11mm, 内径5mm MXL synchronous pulley(20 teeth), 11mm width, Innerdiameter 5mm
Pegasus Astro FocusCube	118MXL同步带(148齿), 宽度10mm 118MXLSynchronous belt(148 tooth), 10mm width	MXL型同步轮(20齿), 齿宽11mm, 内径5mm MXL synchronous pulley(20 teeth), 11mm width, Innerdiameter 5mm